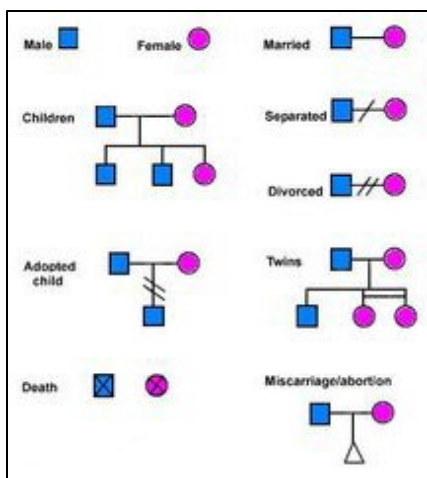
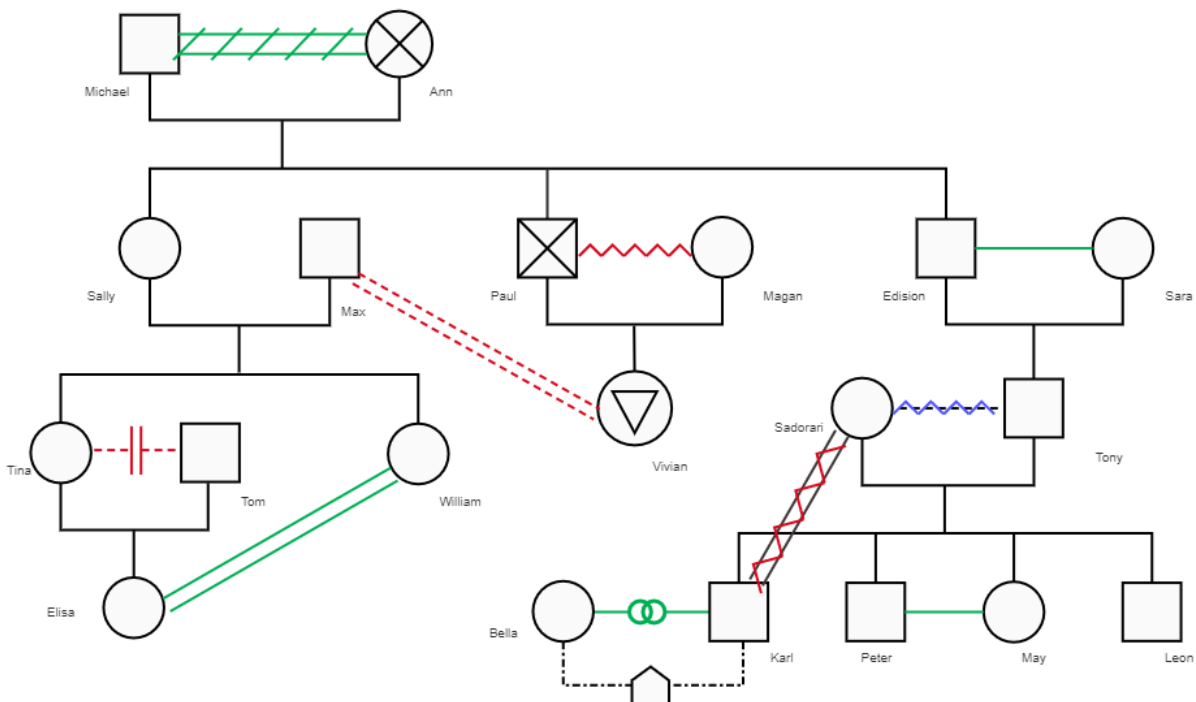


# GENOGRAM

A genogram helps ICBF to visualize the intensity of intrafamilial relationships and the nature of the family network for each applicant and their family of origin. You may create this form utilizing a template or an online genogram generator (such as Geno-Pro or other available applications). Include each applicant's parents, siblings, brothers or sisters in law, biological children, adopted children, nieces or nephews, and any aunts or uncles who may have a significant relationship with the applicant(s). **This document must be attached to the family's completed home study document.**

Example:



Images © Wondershare EdrawMax

